

**UTENSILERIA  
TOOLING  
OUTILLAGE**



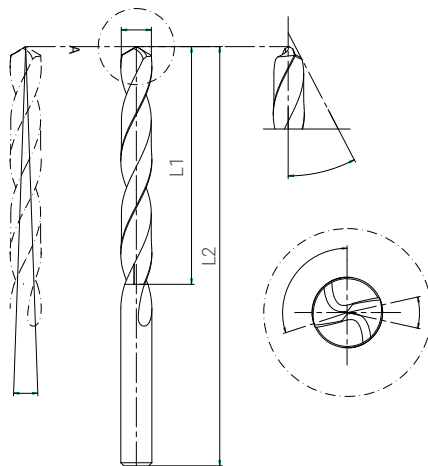
/ IT

UTENSILERIA / PUNTE ELICOIDALI- HSS - HSSCO -HM / STAR PRO CO5% DIN 338



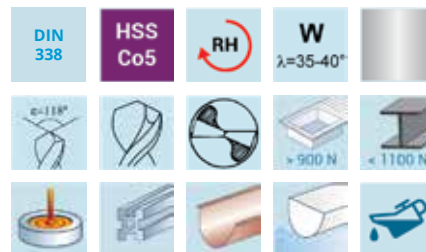
/ EN

TOOLING / HSS - HSSCO - CARBIDE TIPPED DRILLS / STAR PRO HSS+CO5% DIN 338



/ FR

OUTILLAGE / FORETS HSS - HSSCO - A PALQUETTE / STAR PRO +CO5% DIN 338



**PUNTE ELICOIDALI IN HSS E HSS CO5% DIN 338**

- Caratteristiche: Fresate e rettificate di altissima qualità
- Coperte da brevetto per la speciale geometria di affilatura, della punta e del nucleo
- Utensile unico per le grandi prestazioni di velocità e per la qualità del foro
- Non vibrano durante lavoro, non si bloccano in uscita, e non si rompono grazie alla robustezza del corpo
- Velocità di lavoro: 32m/min

Uso:

- **PUEXC Co5** fino a 1000 N/mm<sup>2</sup>- ferro - ghisa - acciaio - acciaio inox - rame - zinco - alluminio e leghe - plastica

cod.	Ø mm	L1	L2
PUEXC0030	0.30	4	19
PUEXC0035	0.35	4	19
PUEXC0040	0.40	5	20
PUEXC0045	0.45	5	20
PUEXC0050	0.50	6	22
PUEXC0052	0.52	6	22
PUEXC0055	0.55	7	24
PUEXC0060	0.60	7	24
PUEXC0065	0.65	9	28
PUEXC0070	0.70	9	28
PUEXC0075	0.75	9	28
PUEXC0080	0.80	10	30
PUEXC0085	0.85	10	30
PUEXC0090	0.90	11	32

**HSS AND CO5% FULLY GROUND DRILLS DIN 338**

- Characteristics: high quality fully ground drills
- Patented for their revolutionary cutting geometry, they are placed among the best HSS tools for drilling.
- Great results in drilling speed, no vibration and great hole quality.
- Work Speed: 32 m/min

Use:

- **PUEXC Co5** up to a 1000 N/mm<sup>2</sup>- steel - cast iron - stainless steel - copper - zinc - aluminum and light alloy - plastic

cod.	Ø mm	L1	L2
PUEXC0095	0.95	11	32
PUEXC0100	1.00	12	34
PUEXC0105	1.05	12	34
PUEXC0110	1.10	14	36
PUEXC0115	1.15	14	36
PUEXC0120	1.20	16	38
PUEXC0125	1.25	16	38
PUEXC0130	1.30	16	38
PUEXC0135	1.35	18	40
PUEXC0140	1.40	18	40
PUEXC0145	1.45	18	40
PUEXC0150	1.50	18	40
PUEXC0155	1.55	20	43
PUEXC0160	1.60	20	43

**FORETS HÉLICOÏDAUX EN HSS ET CO5% DIN 338**

- Caractéristiques: forets taillé et meulé très puissant et de très haute qualité
- Géométrie coupe révolutionnaire brevetée Il est parmi les meilleurs outils de perçage en HSS Co5%
- Grandes performances de vitesse, absence de vibrations, qualité du trou.
- Vitesse de rotation : 32 m/min

Utilisation:

- **PUEXC Co5** jusqu'à 1000 N/mm<sup>2</sup>- fer - fonte - acier - inox - rame - zingue - aluminium et alliages légers - plastique



cod.	Ø mm	L1	L2
PUEXC0165	1.65	20	43
PUEXC0170	1.70	20	43
PUEXC0175	1.75	22	46
PUEXC0180	1.80	22	46
PUEXC0185	1.85	22	46
PUEXC0190	1.90	22	46
PUEXC0200	2.00	24	49
PUEXC0205	2.05	24	49
PUEXC0210	2.10	24	49
PUEXC0215	2.15	27	53
PUEXC0220	2.20	27	53
PUEXC0225	2.25	27	53
PUEXC0230	2.30	27	53
PUEXC0235	2.35	27	53
PUEXC0240	2.40	30	57
PUEXC0245	2.45	30	57
PUEXC0250	2.50	30	57
PUEXC0255	2.55	30	57
PUEXC0260	2.60	30	57
PUEXC0265	2.65	30	57
PUEXC0270	2.70	33	61
PUEXC0275	2.75	33	61
PUEXC0280	2.80	33	61
PUEXC0285	2.85	33	61
PUEXC0290	2.90	33	61
PUEXC0295	2.95	33	61
PUEXC0300	3.00	33	61
PUEXC0305	3.05	36	65
PUEXC0310	3.10	36	65
PUEXC0315	3.15	36	65
PUEXC0320	3.20	36	65
PUEXC0325	3.25	36	65
PUEXC0330	3.30	36	65
PUEXC0340	3.40	39	70
PUEXC0345	3.45	39	70
PUEXC0350	3.50	39	70
PUEXC0355	3.55	39	70
PUEXC0360	3.60	39	70
PUEXC0365	3.65	39	70
PUEXC0370	3.70	39	70
PUEXC0375	3.75	43	75
PUEXC0380	3.80	43	75
PUEXC0385	3.85	43	75
PUEXC0390	3.90	43	75
PUEXC0395	3.95	43	75
PUEXC0400	4.00	43	75
PUEXC0410	4.10	43	75
PUEXC0415	4.15	43	75
PUEXC0420	4.20	43	75
PUEXC0425	4.25	43	75
PUEXC0430	4.30	47	80
PUEXC0435	4.35	47	80
PUEXC0440	4.40	47	80

cod.	Ø mm	L1	L2
PUEXC0445	4.45	47	80
PUEXC0450	4.50	47	80
PUEXC0455	4.55	47	80
PUEXC0460	4.60	47	80
PUEXC0465	4.65	47	80
PUEXC0470	4.70	47	80
PUEXC0475	4.75	52	86
PUEXC0480	4.80	52	86
PUEXC0485	4.85	52	86
PUEXC0490	4.90	52	86
PUEXC0495	4.95	52	86
PUEXC0500	5.00	52	86
PUEXC0505	5.05	52	86
PUEXC0510	5.10	52	86
PUEXC0515	5.15	52	86
PUEXC0520	5.20	52	86
PUEXC0525	5.25	52	86
PUEXC0530	5.30	52	86
PUEXC0535	5.35	57	93
PUEXC0540	5.40	57	93
PUEXC0545	5.45	57	93
PUEXC0550	5.50	57	93
PUEXC0555	5.55	57	93
PUEXC0560	5.60	57	93
PUEXC0565	5.65	57	93
PUEXC0570	5.70	57	93
PUEXC0575	5.75	57	93
PUEXC0580	5.80	57	93
PUEXC0585	5.85	57	93
PUEXC0590	5.90	57	93
PUEXC0595	5.95	57	93
PUEXC0600	6.00	57	93
PUEXC0610	6.10	63	101
PUEXC0620	6.20	63	101
PUEXC0625	6.25	63	101
PUEXC0630	6.30	63	101
PUEXC0635	6.35	63	101
PUEXC0640	6.40	63	101
PUEXC0650	6.50	63	101
PUEXC0660	6.60	63	101
PUEXC0670	6.70	63	101
PUEXC0680	6.80	69	109
PUEXC0690	6.90	69	109
PUEXC0700	7.00	69	109
PUEXC0710	7.10	69	109
PUEXC0720	7.20	69	109
PUEXC0725	7.25	69	109
PUEXC0730	7.30	69	109
PUEXC0740	7.40	69	109
PUEXC0750	7.50	69	109
PUEXC0760	7.60	75	117
PUEXC0770	7.70	75	117
PUEXC0775	7.75	75	117

cod.	Ø mm	L1	L2
PUEXC0780	7.80	75	117
PUEXC0790	7.90	75	117
PUEXC0800	8.00	75	117
PUEXC0810	8.10	75	117
PUEXC0820	8.20	75	117
PUEXC0825	8.25	75	117
PUEXC0830	8.30	75	117
PUEXC0840	8.40	75	117
PUEXC0850	8.50	75	117
PUEXC0860	8.60	81	125
PUEXC0870	8.70	81	125
PUEXC0875	8.75	81	125
PUEXC0880	8.80	81	125
PUEXC0890	8.90	81	125
PUEXC0900	9.00	81	125
PUEXC0910	9.10	81	125
PUEXC0920	9.20	81	125
PUEXC0925	9.25	81	125
PUEXC0930	9.30	81	125
PUEXC0940	9.40	81	125
PUEXC0950	9.50	81	125
PUEXC0960	9.60	87	133
PUEXC0970	9.70	87	133
PUEXC0975	9.75	87	133
PUEXC0980	9.80	87	133
PUEXC0990	9.90	87	133
PUEXC1000	10.00	87	133
PUEXC1010	10.10	87	133
PUEXC1020	10.20	87	133
PUEXC1030	10.30	87	133
PUEXC1040	10.40	87	133
PUEXC1050	10.50	87	133
PUEXC1060	10.60	87	133
PUEXC1070	10.70	94	142
PUEXC1080	10.80	94	142
PUEXC1090	10.90	94	142

cod.	Ø mm	L1	L2
PUEXC1110	11.10	94	142
PUEXC1120	11.20	94	142
PUEXC1130	11.30	94	142
PUEXC1150	11.50	94	142
PUEXC1160	11.60	94	142
PUEXC1170	11.70	94	142
PUEXC1180	11.80	94	142
PUEXC1200	12.00	101	151
PUEXC1220	12.20	101	151
PUEXC1230	12.30	101	151
PUEXC1240	12.40	101	151
PUEXC1250	12.50	101	151
PUEXC1270	12.70	101	151
PUEXC1280	12.80	101	151
PUEXC1290	12.90	101	151
PUEXC1300	13.00	101	151
PUEXC1320	13.20	101	151
PUEXC1350	13.50	108	160
PUEXC1370	13.70	108	160
PUEXC1400	14.00	108	160
PUEXC1425	14.25	114	169
PUEXC1450	14.50	114	169
PUEXC1475	14.75	114	169
PUEXC1500	15.00	114	169
PUEXC1525	15.25	120	178
PUEXC1550	15.50	120	178
PUEXC1600	16.00	120	178
PUEXC1625	16.25	125	184
PUEXC1650	16.50	125	184
PUEXC1700	17.00	125	184
PUEXC1750	17.50	130	191
PUEXC1800	18.00	130	191
PUEXC1850	18.50	135	198
PUEXC1900	19.00	135	198
PUEXC1950	19.50	140	205
PUEXC2000	20.00	140	205

## ESPOSITORI/KIT

## DISPLAY/KIT

## PRESENTOIRS/KIT



Cod.KITPUEXC13

Kit 13 pcs ø 1.5-6.5x0.5 + 3.3, 4.2 mm



Cod. KITPUEXC19

Kit 19 pcs  $\varnothing$  1-10.0x0.5 mm



Cod. KITPUEXC24

Kit 24 pcs  $\varnothing$  1.0- 10.0x0.5 mm + 3.3, 4.2, 6.8, 10.2, 10.5 mm



Cod. KITPUEXC25

Kit 25 pcs  $\varnothing$  1-13 x 0.5 mm



Cod. KITPUEXC41

Kit 41 pcs  $\varnothing$  6.0-10.0 x 0.1 mm



Cod. KITPUEXC51

Kit 51 pcs  $\varnothing$  1.0 -6.0 x 0.1 mm



Cod. PUEXCVA

Valigetta/ Display/ Presentoir 132 pcs

$\varnothing$  10x1.0- 10x2.0- 10x2.50- 10x3.0- 10x3.50- 10x4.0- 10x4.50- 10x5.0- 10x5.50- 10x6.0- 10x6.50- 3x7.0- 5x8.0- 5x8.50- 3x9.0- 2x9.50- 4x10.0

/ IT

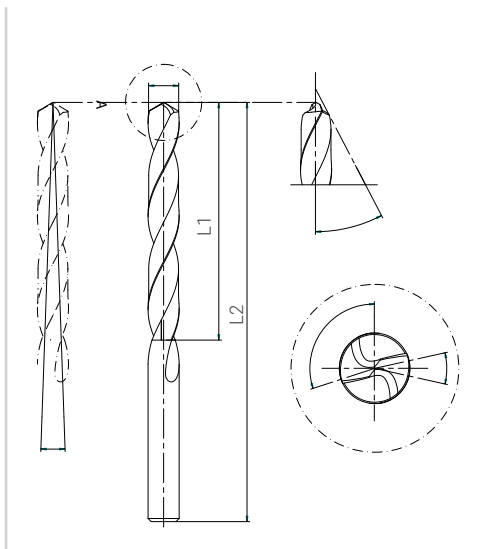
**UTENSILERIA / PUNTE ELICOIDALI- HSS - HSSCO -HM / STAR PRO HSS+MO5% DIN 338**

/ EN

**TOOLING / HSS DRILLS / STAR PRO HSS+MO5% DIN 338**

/ FR

**OUTILLAGE / FORETS HSS / STAR PRO HSS+MO5% DIN 338**



**PUNTE ELICOIDALI IN HSS E HSS CO5% DIN 338**

- Caratteristiche: Fresate e rettificate di altissima qualità
- Coperte da brevetto per la speciale geometria di affilatura, della punta e del nucleo
- Utensile unico per le grandi prestazioni di velocità e per la qualità del foro
- Non vibrano durante lavoro, non si bloccano in uscita, e non si rompono grazie alla robustezza del corpo
- Velocità di lavoro: 32m/min

Uso:

- **PUEXC Mo5** fino a 900 N/mm<sup>2</sup> - ferro - acciaio - acciaio legato - ghisa - rame - zinco - alluminio e leghe

**HSS AND CO5% FULLY GROUND DRILLS DIN 338**

- Characteristics: high quality fully ground drills
- Patented for their revolutionary cutting geometry, they are placed among the best HSS tools for drilling.
- Great results in drilling speed, no vibration and great hole quality.
- Work Speed: 32 m/ min

Use:

- **PUEXC Mo5** up to a 900 N/mm<sup>2</sup> - steel - alloyed steel - cast iron - copper - zinc - aluminum and light alloy

**FORETS HÉLICOÏDAUX EN HSS ET CO5% DIN 338**

- Caractéristiques: taillé et meulé très puissant et de très haute qualité
- Breveté par sa révolutionnaire géométrie de coupe
- Il est parmi les meilleurs outils de perçage en HSS
- Grandes performances de vitesse, absence de vibrations, qualité du trou.
- Vitesse de rotation : 32 m/min

Utilisation:

- **PUEXC Mo5** jusqu'à 900 N/mm<sup>2</sup> - fer - acier - acier allié - fonte - rame - zingue - aluminium et alliages légers

cod.	Ø mm	L1	L2
PUEX0030	0.30	4	19
PUEX0035	0.35	4	19
PUEX0040	0.40	5	20
PUEX0045	0.45	5	20
PUEX0050	0.50	6	22
PUEX0055	0.55	7	24
PUEX0060	0.60	7	24
PUEX0065	0.65	9	28
PUEX0070	0.70	9	28
PUEX0075	0.75	9	28
PUEX0080	0.80	10	30
PUEX0085	0.85	10	30
PUEX0090	0.90	11	32
PUEX0095	0.95	11	32
PUEX0100	1.00	12	34

cod.	Ø mm	L1	L2
PUEX0105	1.05	12	34
PUEX0110	1.10	14	36
PUEX0115	1.15	14	36
PUEX0120	1.20	16	38
PUEX0125	1.25	16	38
PUEX0130	1.30	16	38
PUEX0135	1.35	18	40
PUEX0140	1.40	18	40
PUEX0145	1.45	18	40
PUEX0150	1.50	18	40
PUEX0155	1.55	20	43
PUEX0160	1.60	20	43
PUEX0165	1.65	20	43
PUEX0170	1.70	20	43
PUEX0175	1.75	22	46



cod.	Ø mm	L1	L2
PUEX0180	1.80	22	46
PUEX0185	1.85	22	46
PUEX0190	1.90	22	46
PUEX0195	1.95	24	49
PUEX0200	2.00	24	49
PUEX0205	2.05	24	49
PUEX0210	2.10	24	49
PUEX0215	2.15	27	53
PUEX0220	2.20	27	53
PUEX0225	2.25	27	53
PUEX0230	2.30	27	53
PUEX0235	2.35	27	53
PUEX0240	2.40	30	57
PUEX0245	2.45	30	57
PUEX0250	2.50	30	57
PUEX0255	2.55	30	57
PUEX0260	2.60	30	57
PUEX0265	2.65	30	57
PUEX0270	2.70	33	61
PUEX0275	2.75	33	61
PUEX0280	2.80	33	61
PUEX0285	2.85	33	61
PUEX0290	2.90	33	61
PUEX0295	2.95	33	61
PUEX0300	3.00	33	61
PUEX0305	3.05	36	65
PUEX0310	3.10	36	65
PUEX0315	3.15	36	65
PUEX0320	3.20	36	65
PUEX0325	3.25	36	65
PUEX0330	3.30	36	65
PUEX0340	3.40	39	70
PUEX0345	3.45	39	70
PUEX0350	3.50	39	70
PUEX0355	3.55	39	70
PUEX0360	3.60	39	70
PUEX0365	3.65	39	70
PUEX0370	3.70	39	70
PUEX0375	3.75	43	75
PUEX0380	3.80	43	75
PUEX0385	3.85	43	75
PUEX0390	3.90	43	75
PUEX0400	4.00	43	75
PUEX0410	4.10	43	75
PUEX0415	4.15	43	75
PUEX0420	4.20	43	75
PUEX0425	4.25	43	75
PUEX0430	4.30	47	80
PUEX0435	4.35	47	80
PUEX0440	4.40	47	80
PUEX0445	4.45	47	80
PUEX0450	4.50	47	80
PUEX0455	4.55	47	80

cod.	Ø mm	L1	L2
PUEX0460	4.60	47	80
PUEX0465	4.65	47	80
PUEX0470	4.70	47	80
PUEX0475	4.75	52	86
PUEX0480	4.80	52	86
PUEX0485	4.85	52	86
PUEX0490	4.90	52	86
PUEX0495	4.95	52	86
PUEX0500	5.00	52	86
PUEX0505	5.05	52	86
PUEX0510	5.10	52	86
PUEX0515	5.15	52	86
PUEX0520	5.20	52	86
PUEX0525	5.25	52	86
PUEX0530	5.30	52	86
PUEX0535	5.35	57	93
PUEX0540	5.40	57	93
PUEX0545	5.45	57	93
PUEX0550	5.50	57	93
PUEX0560	5.60	57	93
PUEX0565	5.65	57	93
PUEX0570	5.70	57	93
PUEX0575	5.75	57	93
PUEX0580	5.80	57	93
PUEX0585	5.85	57	93
PUEX0590	5.90	57	93
PUEX0595	5.95	57	93
PUEX0600	6.00	57	93
PUEX0610	6.10	63	101
PUEX0625	6.25	63	101
PUEX0630	6.30	63	101
PUEX0635	6.35	63	101
PUEX0640	6.40	63	101
PUEX0650	6.50	63	101
PUEX0660	6.60	63	101
PUEX0670	6.70	63	101
PUEX0675	6.75	69	109
PUEX0680	6.80	69	109
PUEX0690	6.90	69	109
PUEX0700	7.00	69	109
PUEX0710	7.10	69	109
PUEX0715	7.15	69	109
PUEX0720	7.20	69	109
PUEX0725	7.25	69	109
PUEX0730	7.30	69	109
PUEX0750	7.50	69	109
PUEX0755	7.55	75	117
PUEX0760	7.60	75	117
PUEX0770	7.70	75	117
PUEX0775	7.75	75	117
PUEX0780	7.80	75	117
PUEX0790	7.90	75	117
PUEX0795	7.95	75	117



cod.	Ø mm	L1	L2
PUEX0800	8.00	75	117
PUEX0810	8.10	75	117
PUEX0820	8.20	75	117
PUEX0825	8.25	75	117
PUEX0830	8.30	75	117
PUEX0840	8.40	75	117
PUEX0850	8.50	75	117
PUEX0860	8.60	81	125
PUEX0870	8.70	81	125
PUEX0875	8.75	81	125
PUEX0880	8.80	81	125
PUEX0890	8.90	81	125
PUEX0900	9.00	81	125
PUEX0910	9.10	81	125
PUEX0920	9.20	81	125
PUEX0925	9.25	81	125
PUEX0930	9.30	81	125
PUEX0940	9.40	81	125
PUEX0945	9.45	81	125
PUEX0950	9.50	81	125
PUEX0960	9.60	87	133
PUEX0970	9.70	87	133
PUEX0975	9.75	87	133
PUEX0980	9.80	87	133
PUEX0990	9.90	87	133
PUEX1000	10.00	87	133
PUEX1010	10.10	87	133
PUEX1020	10.20	87	133
PUEX1030	10.30	87	133
PUEX1040	10.40	87	133
PUEX1050	10.50	87	133
PUEX1060	10.60	87	133
PUEX1070	10.70	94	142
PUEX1080	10.80	94	142
PUEX1090	10.90	94	142
PUEX1100	11.00	94	142
PUEX1110	11.10	94	142
PUEX1120	11.20	94	142
PUEX1130	11.30	94	142

cod.	Ø mm	L1	L2
PUEX1140	11.40	94	142
PUEX1150	11.50	94	142
PUEX1160	11.60	94	142
PUEX1170	11.70	94	142
PUEX1180	11.80	94	142
PUEX1190	11.90	101	151
PUEX1200	12.00	101	151
PUEX1210	12.10	101	151
PUEX1220	12.20	101	151
PUEX1230	12.30	101	151
PUEX1240	12.40	101	151
PUEX1250	12.50	101	151
PUEX1260	12.60	101	151
PUEX1270	12.70	101	151
PUEX1280	12.80	101	151
PUEX1290	12.90	101	151
PUEX1300	13.00	101	151
PUEX1310	13.10	101	151
PUEX1320	13.20	101	151
PUEX1330	13.30	108	160
PUEX1340	13.40	108	160
PUEX1350	13.50	108	160
PUEX1370	13.70	108	160
PUEX1400	14.00	108	160
PUEX1425	14.25	114	169
PUEX1450	14.50	114	169
PUEX1470	14.70	114	169
PUEX1500	15.00	114	169
PUEX1525	15.25	120	178
PUEX1550	15.50	120	178
PUEX1600	16.00	120	178
PUEX1650	16.50	125	184
PUEX1700	17.00	125	184
PUEX1750	17.50	130	191
PUEX1800	18.00	130	191
PUEX1850	18.50	135	198
PUEX1900	19.00	135	198
PUEX1950	19.50	140	205
PUEX2000	20.00	140	205

\* Codolo ridotto 12,7mm

\* Codolo = Ø punta detrarre 5 €





ESPOSITORI/KIT

DISPLAY/KIT

PRESENTOIRS/KIT



Cod. KITPUEX13

Kit 13 pcs  $\varnothing$  1.5-6.5x0.5 + 3.3,4.2

Cod. KITPUEX19

Kit 19 pcs  $\varnothing$  1-10 x0.5 mm



Cod. KITPUEX24

Kit 24 pcs  $\varnothing$  1.0- 10.0 x0.5 mm + 3.3, 4.2, 6.8, 10.2, 10.5



Cod. KITPUEX25

Kit 25 pcs  $\varnothing$  1-13x 0.5 mm



Cod. KITPUEX41

Kit 41 pcs  $\varnothing$  6.0- 10.0 x 0.1 mm



Cod. KITPUEX51

Kit 51 pcs  $\varnothing$  1.0-6.0 x 0.1 mm



**Cod. KITPUEX91**

Kit 91 pcs  $\varnothing$  1.0- 10.0 x 0.1 mm

**Cod. PUEXVA150**

Valigetta/ Display/Presentoir 150pcs

$\varnothing$  10x1.0- 10x1.5- 10x2.0- 10x2.5- 10x3.0- 10x3.5- 10x4.0- 10x4.5- 10x5.0- 10x5.5- 10x6.0- 10x6.5- 5x7.0- 5x7.5- 6x8.0- 5x8.5- 3x9.0- 2x9.5- 4x10.0

SCHEDA TECNICA PUEX "STAR PRO" HSS Mo5%

APPLICAZIONI RACCOMANDATE PER LA FORATURA

D $\varnothing$	VELOCITA' DI TAGLIO V (m/min)															
	4	6	8	10	12	15	18	20	25	30	35	40	50	60	80	100
	GIRI rpm/ 1min															
$\varnothing$ 1	1275	1910	2550	3185	3820	4775	5730	6370	7960	9555	11145	12740	15925	19110	25480	31855
$\varnothing$ 1.5	850	1275	1700	2125	2550	3185	3820	4245	5310	6370	7430	8495	10615	12740	16985	21230
$\varnothing$ 2	635	995	1275	1592	1910	2390	2865	3185	3980	4775	5575	6370	7960	9555	12470	15925
$\varnothing$ 2.5	510	765	1020	1274	1530	1910	2295	2550	3185	3820	4460	5095	6370	7645	10190	12740
$\varnothing$ 3	425	635	850	1060	1275	1590	1910	2125	2655	3185	3715	4245	5310	6370	8495	10651
$\varnothing$ 3.5	365	545	730	910	1090	1365	1640	1820	2275	2730	3185	3640	4550	5460	7280	9100
$\varnothing$ 4	320	480	635	795	955	1195	1435	1590	1990	2390	2785	3185	3980	4775	6370	7960
$\varnothing$ 4.5	285	425	565	710	850	1060	1275	1415	1770	2125	2475	2830	3540	4245	5960	7075
$\varnothing$ 5	255	380	510	635	765	955	1145	1275	1590	1910	2230	2550	3185	3820	5095	6370
$\varnothing$ 5.5	230	345	465	580	695	870	1040	1160	1450	1735	2025	2315	2895	3475	4630	5790
$\varnothing$ 6	210	320	425	530	635	795	955	1060	1325	1590	1860	2125	2655	3185	4245	5310
$\varnothing$ 6.5	195	295	390	490	590	735	880	980	1225	1470	1715	1960	2450	2940	3920	4900
$\varnothing$ 7	180	275	365	455	545	680	820	810	1140	1365	1590	1820	2275	2730	3640	4550
$\varnothing$ 7.5	170	255	340	425	510	635	765	850	1060	1275	1485	1700	2125	2550	3395	4245
$\varnothing$ 8	160	240	320	400	480	595	715	795	995	1195	1395	1590	1990	2385	3185	3980
$\varnothing$ 8.5	150	225	300	375	450	560	675	750	935	1125	1310	1495	1875	2250	2995	3745
$\varnothing$ 9	140	210	285	355	423	530	635	710	885	1060	1240	1415	1770	2125	2830	3540
$\varnothing$ 9.5	135	200	270	335	400	505	605	670	840	1005	1175	1340	1675	2010	2680	3350
$\varnothing$ 10	125	190	255	320	380	480	575	635	795	955	1115	1275	1593	1910	2550	3185
$\varnothing$ 11	115	175	230	290	345	435	520	580	725	870	1015	1160	1450	1735	2315	2895
$\varnothing$ 12	105	160	210	265	320	400	480	530	665	795	930	1060	1325	1590	2125	2655
$\varnothing$ 13	100	145	195	245	295	365	440	490	610	735	855	980	1225	1470	1960	2450
$\varnothing$ 14	90	135	180	230	275	340	410	455	570	680	795	910	1135	1365	1820	2275
$\varnothing$ 15	85	130	170	210	250	320	380	420	530	640	740	850	1060	1275	1700	2120
$\varnothing$ 16	80	120	160	200	235	300	360	400	495	595	695	795	995	1195	1590	1990
$\varnothing$ 17	75	110	150	185	225	280	335	375	470	560	655	750	935	1125	1500	1875
$\varnothing$ 18	70	105	140	175	210	265	320	355	440	530	620	710	885	1060	1415	1770
$\varnothing$ 19	65	100	135	170	200	250	300	335	420	500	585	670	840	1005	1340	1675
$\varnothing$ 20	60	95	125	160	190	240	285	320	400	480	560	645	795	955	1275	1590

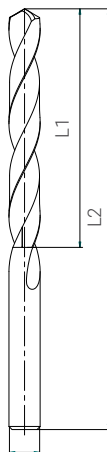
/ IT

UTENSILERIA / PUNTE ELICOIDALI- HSS -  
HSSCO -HM / HSS+MO5% DIN 1869 1.2.3  
EXTRA L.



/ EN

TOOLING / HSS DRILLS / HSS+MO5% DIN  
1869 1.2.3 EXTRA L.



/ FR

OUTILLAGE / FORETS HSS / HSS+MO5%  
DIN 1869 1.2.3 EXTRA L.



#### PUNTE ELICOIDALI EXTRA LUNGHE DIN 1869 1/2/3 - HSS

- Per fori profondi su: materiali ferrosi – ghisa – fusioni – acciai – acciai legati fino a 900 N/mm<sup>2</sup>
- Caratteristiche: Punte rettificate ad altissima efficienza con nucleo rinforzato, profilo elevato delle gole, massima rigidità.

#### HSS DIN 1869 1/2/3 FULLY GROUNDED DRILLS BITS

- Designed for deep holes on: steel – cast iron – fusions – alloyed steel up to 900 N/ mm<sup>2</sup>
- Characteristics: Fully ground drills – High performance – Reinforced Core – Maximum rigidity

#### FORETS HELICOIDEAUX EN HSS DIN 1869 1/2/3

- Conçu pour troue profond sur acier – fonte – fusions – alliages légers jusqu'à 900 N/ mm<sup>2</sup>
- Caractéristiques : Forets taillé meulé – Haute performances – Noyau renforcé – Fort rigidité

cod.	Ø mm	L1	L2
PUEXL/10100	1.00	55	95
PUEXL/10150	1.50	70	110
PUEXL/10200	2.00	85	125
PUEXL/10250	2.50	95	140
PUEXL/10300	3.00	100	150
PUEXL/20300	3.00	130	190
PUEXL/10350	3.50	115	165
PUEXL/20350	3.50	145	210
PUEXL/30350	3.50	180	265
PUEXL/10400	4.00	120	175
PUEXL/20400	4.00	150	220
PUEXL/30400	4.00	190	280
PUEXL/10450	4.50	125	185
PUEXL/20450	4.50	160	235
PUEXL/30450	4.50	200	295
PUEXL/10500	5.00	135	195
PUEXL/20500	5.00	170	245
PUEXL/30500	5.00	210	310
PUEXL/10550	5.50	140	205
PUEXL/20550	5.50	180	260
PUEXL/30550	5.50	225	330

cod.	Ø mm	L1	L2
PUEXL/10600	6.00	140	205
PUEXL/20600	6.00	180	260
PUEXL/30600	6.00	225	330
PUEXL/10650	6.50	150	215
PUEXL/20650	6.50	190	275
PUEXL/30650	6.50	235	350
PUEXL/10700	7.00	155	225
PUEXL/10750	7.50	155	225
PUEXL/10800	8.00	165	240
PUEXL/20800	8.00	210	305
PUEXL/30800	8.00	265	390
PUEXL/10850	8.50	165	240
PUEXL/20850	8.50	210	305
PUEXL/30850	8.50	265	390
PUEXL/10900	9.00	175	250
PUEXL/20900	9.00	220	320
PUEXL/10950	9.50	175	250
PUEXL/11000	10.00	185	265
PUEXL/21000	10.00	235	340
PUEXL/31000	10.00	295	430



**IT**

## **/ CONDIZIONI GENERALI DI VENDITA**

**PREZZI** / I prezzi sono quelli indicati nel listino e potranno essere modificati senza obbligo di comunicazione. Si consiglia di verificare sempre che il listino a proprie mani non abbia subito variazioni. Il catalogo è scaricabile sul nostro sito.

**MINIMO FATTURABILE** / 250 € + IVA. Per spedizioni richieste sotto il minimo di fatturazione verrà applicato lo sconto base del 50%

**IMBALLO** / Compreso

**CONSEGNA** / La merce si intende sempre venduta FRANCO nostro magazzino e viaggio a rischio e pericolo del committente

### **TABELLA ADDEBITI TRASPORTO** /

da kg. 0 a kg.10      addebito 11 € - Isole e Calabria 13 €

da kg.11 a kg.30      addebito 16 € (per tutta Italia)

da kg.31 a kg.50      addebito 17 € - Isole e Calabria 20 €

### **RESA** /

PORTO ASSEGNATO per tutte le spedizioni

PORTO FRANCO **esclusivamente per forniture superiori a 1000 € + IVA**

Le spedizioni di importo inferiore verranno effettuate in PORTO FRANCO CON ADDEBITO IN FATTURA indipendentemente dalle condizioni contrattuali abituali

### **GARANZIA** / Copre i difetti di fabbricazione

La garanzia non copre le manomissioni o l'errato impiego. Gli utensili devono essere utilizzati secondo le specifiche di utilizzo sui materiali e di velocità consigliate

**RECLAMI** / I reclami per errori di spedizione o materiale difettoso dovranno pervenire per iscritto entro 8 giorni dalla data di spedizione

**RESI** / **Non si accettano resi non autorizzati dalla casa madre.** Dovranno avvenire esclusivamente tramite corriere del committente in Porto Franco

**PAGAMENTI** / Nel caso di ritardato pagamento, verranno conteggiati gli interessi dalla scadenza ed eventuali costi bancari e di recupero



**EN**

## **/ GENERAL SALES CONDITIONS**

**PRICES** / Prices are those indicated in the price list and can be modified without obligation of communication.

**MINIMUM ORDER** / 250 € net. For orders under the required minimum will be applied the basic discount

**PACKAGING** / Included

**DELIVERY** / FOB Martin warehouse

**WARRANTY** / for manufacturing defect if correctly used according to the specifications of use on the recommended materials and speeds  
The warranty does not cover incorrect use

**COMPLAINTS** / Shipping errors or defective material must be notified in writing within 8 days from the date of shipment

**RETURNS** / Return are not accepted without authorization of the manufacturer and must be made free of charge

**PAYMENT** / In the case of payment delayed, interests will be calculated from the expiration and any bank charges will be debited.



**FR**

## **/ CONDITIONS GENERALES DE VENTE**

**CONDITIONS GÉNÉRALES** / Les marchandises sont expédiées d'Italie.

Nous conservons l'entière propriété des marchandises jusqu'à complet paiement du prix facturé (loi n°80333 du 12 Mai 1980). De convention express et sauf report sollicité à temps et accordé par nous, le défaut de paiement de nos fournitures à l'échéance fixée entrainera l'exigibilité immédiate de toutes les sommes restant dues quel que soit le mode de règlement prévu.

Cette clause déclenche la suspension d'exécution des commandes.

Ces sommes porteront intérêt de plein droit et sont mises en demeure, au taux des avances de la BANQUE D'ITALIE, majorée de 0,5% par mois de retard sans que cette clause nuise à l'exigibilité de la dette.

**PRIX** / Nos prix s'entendent pour les marchandises à notre dépôt net H.T.

Le port FRANCO ne pourra être accepté que par nous, pour toutes expéditions égales ou supérieures à un montant H.T. de 300€ net.

Les frais d'envoi en express ou plus généralement par tous moyens accélérés sont à la charge du client.

**GARANTIE** / La marchandises voyagent toujours aux risques et périls du destinataire, même en cas d'envoi franco. Le destinataire devra contrôler à l'arrivée le nombre de colis, leur aspect extérieur et il lui appartiendra de faire éventuellement des réserves sur le bon de livraison du transporteur.

Nous n'établissons pas de bon de livraisons d'un montant inférieur à 250 € net H.T. valeur marchandises: Toutes les livraisons dont le montant net H.T. sera inférieur à cette somme, subiront une majoration forfaitaire de 10€, sans avis préalable.

Martin s.r.l. se réserve le droit d'apporter à son matériel, sans préavis toutes modifications justifiées par l'évolution technique.

**PLAINTES** / En cas de contestation, seul le tribunal de commerce de TURIN (Italie), sera compétent.